



Pre-Filter Installation Guide

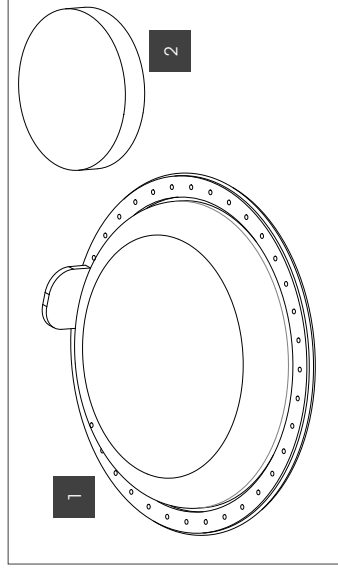
Fresh as a daisy.

Installing your new filters

Filter Pack Contents

The Pack contains:

- 1 Dust Pouch Filter
- 2 Odour-lock Filter

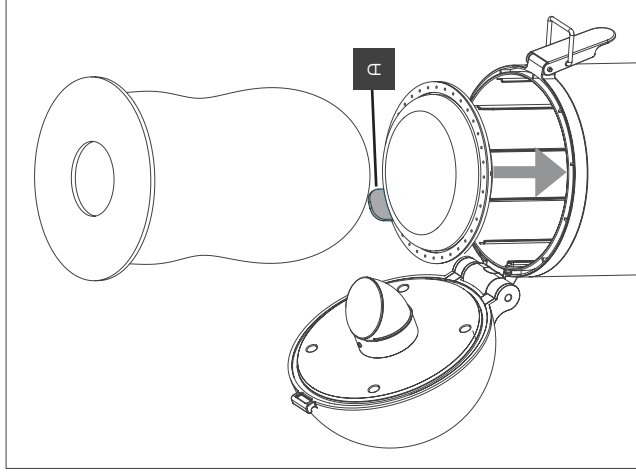
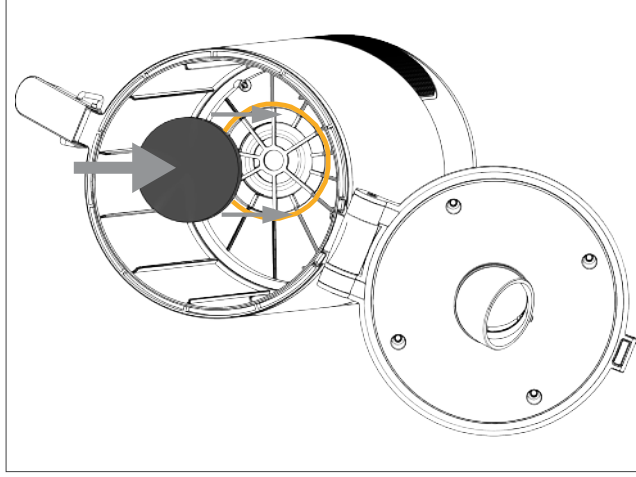


1. Open Capsule and remove the existing Dust Pouch, Dust Pouch filter and Odour-lock filter.

2. First refit the new Odour-lock Filter first by pressing it into the recess in front of the motor at the furthest end of the Dust Pouch Housing.

3. Next place the new Dust Pouch Filter in front ensuring the tab (A) is positioned outwards and that the edge of the filter is secure in the housing.

4. Insert a new Dust Pouch. You are ready to clean once again.



NEVER operate Capsule without both filters in place. This will cause permanent damage to your Capsule and invalidate your warranty.



Infinite Appliances Ltd.
Warwickshire, England

capsuleclean.com/contact