

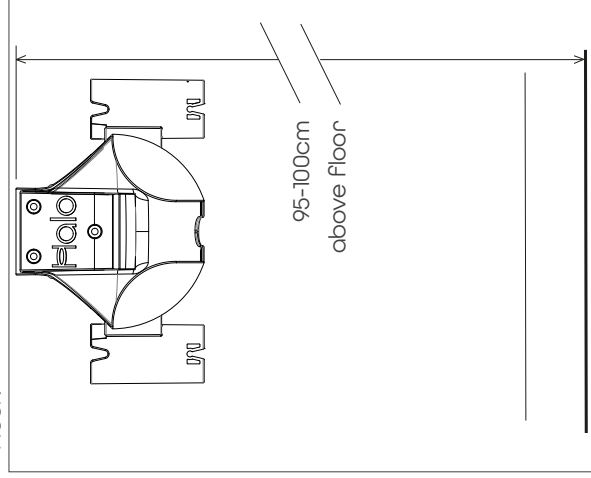


Wall Dock Installation Guide

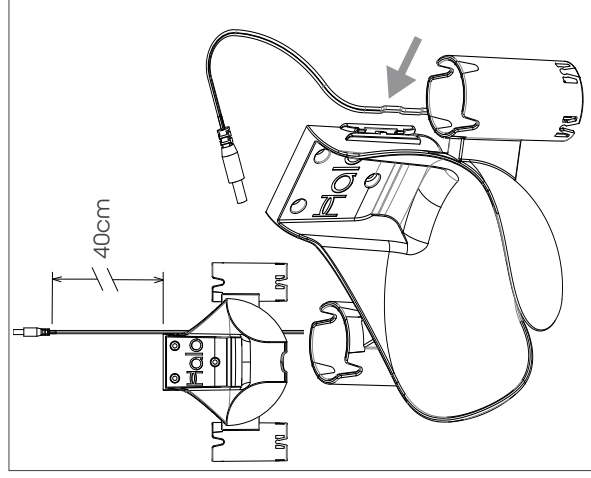
Docked and Loaded.

Installing the Wall Dock

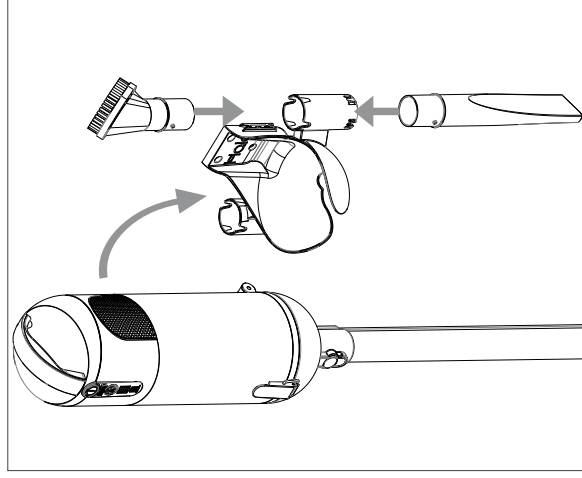
1. The Wall Dock should be mounted using the fixings provided.
The Dock should be 95-100cm above the floor.



2. For convenience the charging cable can be attached for easy connection. The cable should be pushed into the grip features to secure.



3. The Capsule Vacuum and up to 4 accessories can then be held by the Wall Dock.
Ensure the Wall Dock is secure to the wall before use.
Capsule **MUST** have the extension tube connected in order to be secure in the Wall Dock.





Infinite Appliances Ltd.
Warwickshire, England

capsuleclean.com/contact